

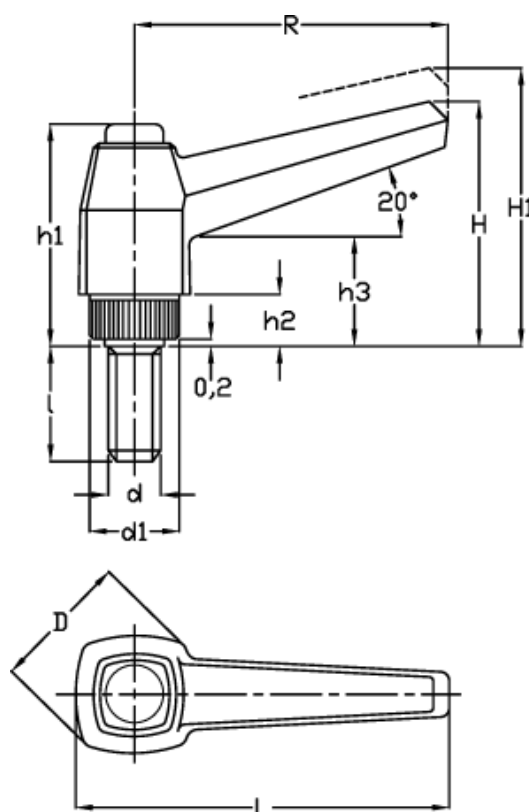
Data Sheet



Article number: 2303142201

Description: E+G Adjustable handle w/threaded stud
MRX.80 p-M10x20

Measures



| | |
|------------|----------------------|
| D = 28 | I = 20 |
| d1 = 19 | L = 92 |
| d 6g = M10 | Number of teeth = 24 |
| H = 54 | R = 80 |
| h1 = 47 | |
| H1 = 58.5 | |
| h2 = 10 | |
| h3 = 22 | |